

DAMPTAC

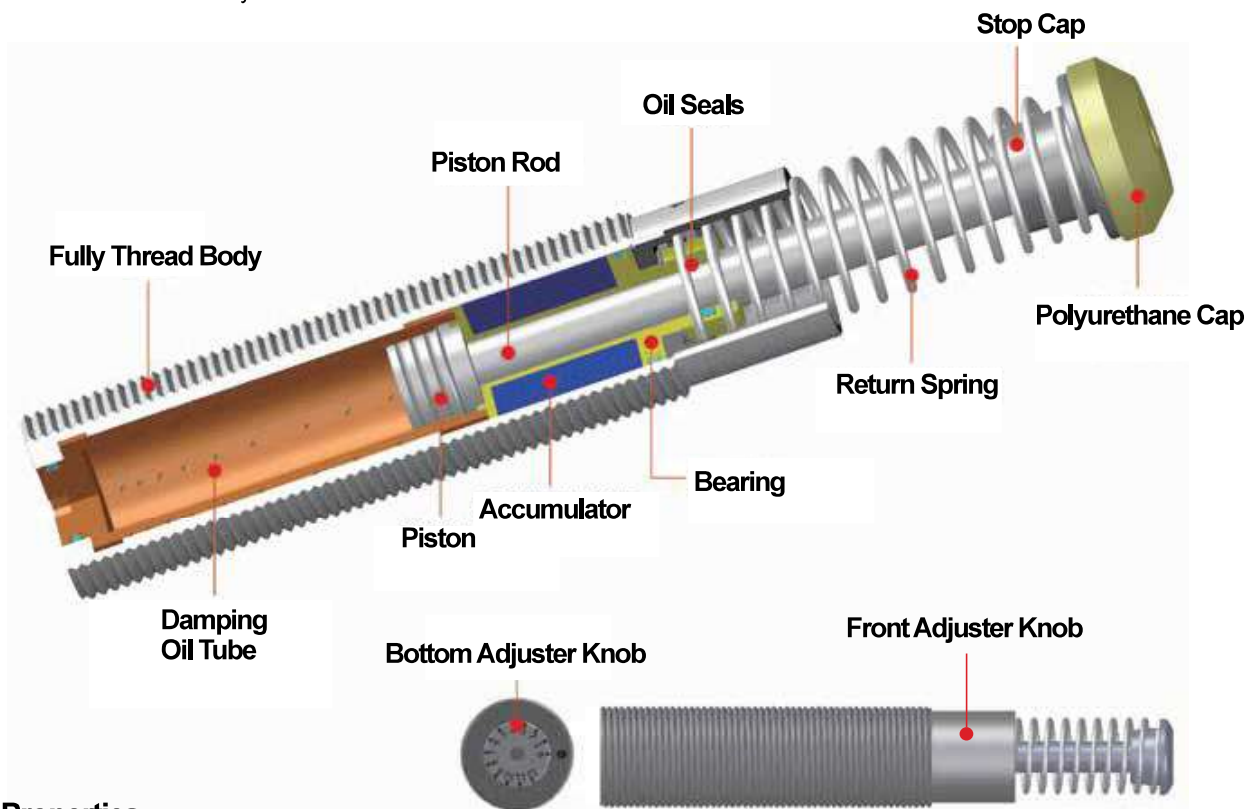
Industrial Shock Absorber



DTA Series

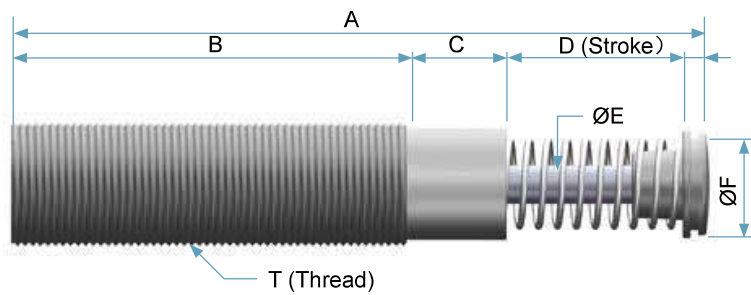
Adjustable Type

The DAMPTAC medium paner series' structure uses the distinctive internal spiral shock-absorbing designing, the maximum absorption of energy, effective weight and life time are significantly higher than other brands, to ensure that the equipments in the heavy-load or high-speed applications can also get smooth and uniform deceleration and damping. During the damping process, the impact energy is uniformly absorbed by the lowest peak damping force and the shortest deceleration time. DTA series' damping force can be adjusted with the front adjustment knob or the rear adjustment knob. It ensures DTA can be quickly and easily adjusted to use in different application conditions, and the performance is extremely excellent. So DTA is widely used in the automotive industry and other automation industries.



Properties

- DTA model is adjustable type so you could control the damping force according to impact velocity. DTA model has the 12 steps range to rotate the dial from "0" to "12" so it is possible to get the fine tuning. DTA model has two adjuster knobs, front adjuster knob is integrated with stop collar and bottom adjuster knob needs to be adjusted with inner hexagon spanner. Don't use the shock absorber outside the scale.
- DTA model's structure uses the distinctive internal spiral shock-absorbing designing, the maximum absorption of energy, effective weight and life time are significantly higher than other brands.
- DTA model's body is integrated moulding with very high strength and it doesn't have the problem of "separation" compared to other brands.
- The fully thread body provides reliable, accurate installation and the increased contact area promotes heat dissipation into the air.
- The piston rod uses reinforced stainless steel, the bearing uses high strength and wear-resistant materials and the seal uses special materials. The advanced design can not only ensure the resistance to side load force, but also effectively ensure the long life time of the shock absorber.
- Impacting Velocity: 0.3 ~ 5m/s (standard model), 0.08 ~ 1m/s (low velocity model), out of range please consult DAMPTAC!
- Environment Temperature: -10 °C ~ +80 °C (standard model), -40 °C ~ +120 °C (special model)



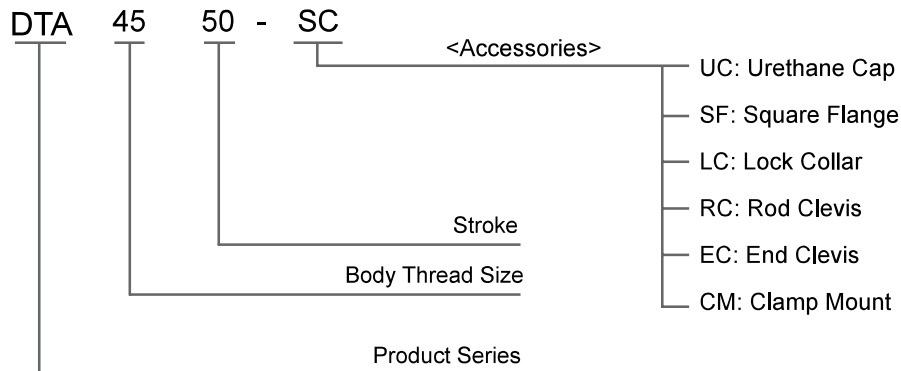
Specifications Chart - Adjustable DTA Series

Type	Stroke (mm)	Max. Energy /Cycle (Nm)	Max. Energy /Hour (Nm/h)	Effective Weight (kg)	Return Force (N)		Weight (kg)
					Ext	Comp	
DTA4225	25	650	195,000	30-13,354	49.7	82.8	1.13
DTA4525							
DTA4250	50	1,300	260,000	40-26,700	45.6	84	1.3
DTA4550							
DTA4275	75	2,000	300,000	50-39,060	44.3	86.3	1.52
DTA4575							
DTA6425	25	1,250	152,000	92-24,400	61.8	110	2.9
DTA6250							
DTA6450	50	2,500	248,000	185-50,000	60.8	133.2	3.3
DTA62100							
DTA64100	100	5,000	360,000	270-97,650	59.4	160.1	4
DTA62150							
DTA64150	150	7,500	450,000	330-146,480	51	166.8	8.9
DTA64150							

Dimensions Chart - Adjustable DTA Series

Type	Dimensions (Unit: mm)						
	A	B	C	D (Stroke)	E	F	T (Thread)
DTA4225	168	98	35	25	14	38	
DTA4525							
DTA4250	234	131	43	50	14	38	M42x1.5
DTA4550							
DTA4275	300	169	45.7	75	14	38	
DTA4575							
DTA6425	176	97.5	38	25	20	51	M64x2.0
DTA6250							
DTA6450	225	131	44	50	20	51	
DTA62100							
DTA64100	356.5	192.6	50.5	100	20	51	M62x2.0
DTA62150							
DTA64150	470	225	65	150	20	51	M64x2.0
DTA64150							

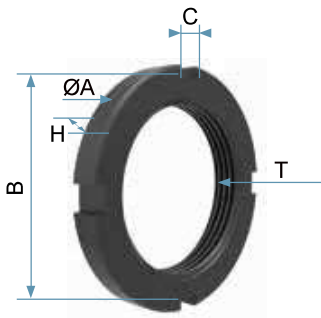
DTA Series Ordering Information



Example: DTA4250 (Thread M42, Stroke 50mm, Standard With Steel Cap)

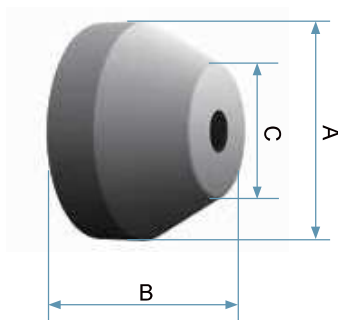
Accessories Specification Chart

1. Lock Cap



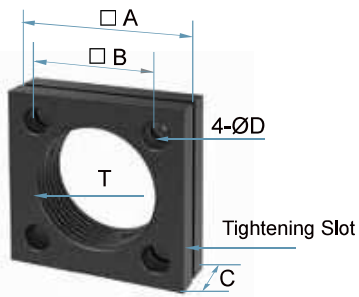
Type	A	B	C	H	T
LC42	58	52	6	9	M42x1.5
LC45	58	52	6	9	M45x1.5
LC62	75	69.5	7	10	M62x2.0
LC64	75	69.5	7	10	M64x2.0

2. Urethane Cap



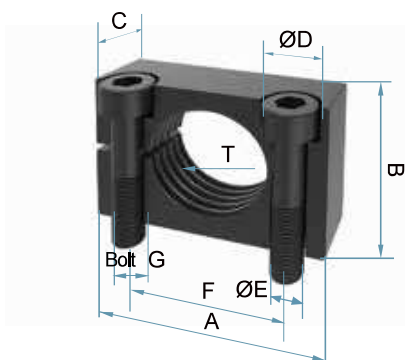
Type	A	B	C
UC42	42	25	24
UC45	42	25	24
UC62	64	28	34
UC64	64	28	34

3. Square Flange



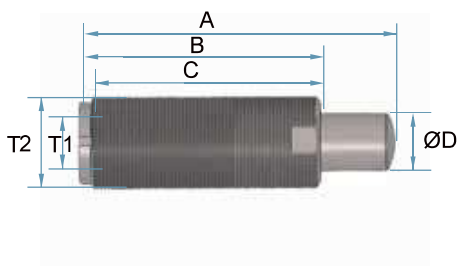
Type	A	B	C	D	T
SF42	60	41	14	9	M42x1.5
SF45	60	41	14	9	M45x1.5
SF64	90	70	16	11	M64x2.0

4. Clamp Mount



Type	A	B	C	D	E	F	G	T
CM42	80	56	25	14	9	60	M8	M42x1.5
CM45	80	56	25	14	9	60	M8	M45x1.5
CM64	100	80	25	16	11	78	M10	M64x2.0

5. Side Load Adaptor



Type	A	B	C	D	T1	T2
SL4225	138.5	109.5	100	40	M42X1.5	M64X2.0
SL4525	138.5	109.5	100	40	M45X1.5	M64X2.0
SL4250	218.5	167	158	40	M42X1.5	M64X2.0
SL4550	218.5	167	158	40	M45X1.5	M64X2.0
SL6450	234.5	179.5	170	56	M64X2.0	M90X2.0

6. Clevis Kits

Clevis mount



End Clevis

Rod Clevis